



MARINE

alRIG

Marine | Architecture | Structural

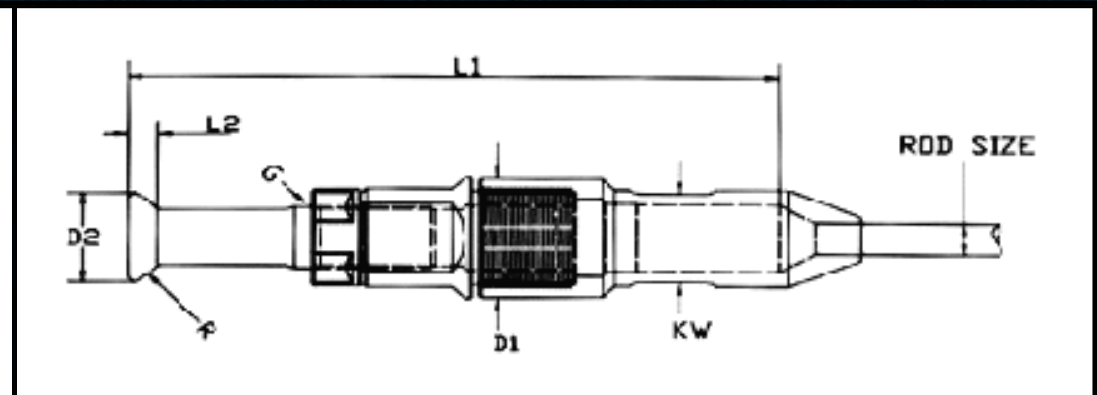
About
us

Address | Downloads | Links

MDR-MONO DIAGONAL RIGGING SCREW

[download pdf \(50 Kb.\)](#)

High Polished Stainless Steel - AISI 316



| Cat. No. | Rod dim. (mm.) | G (U.N. F.) | L min. (mm.) | L max. (mm.) | L2 (mm.) | D1 (mm.) | D2 (mm.) | R (mm.) | Break load (Kg.) | Pack Pcs. |
|-----------|-------------------|----------------|--------------------|--------------------|-------------|-------------|----------|---------|------------------------|--------------|
| MD2516040 | 4 | 5/16" | 98,5 | 141,5 | 5,9 | 16,8 | 19,5 | 9 | 1.700 | BULK |
| MD2038050 | 5 | 3/8" | 104 | 145 | 5,9 | 16,8 | 22,5 | 9 | 2.850 | BULK |
| MD2012064 | 6,4 | 1/2" | 129,5 | 181 | 7,2 | 23,2 | 29,5 | 12 | 4.000 | BULK |
| MD2012071 | 7,1 | 1/2" | 129,5 | 181 | 7,2 | 23,2 | 29,5 | 12 | 5.400 | BULK |
| MD2058084 | 8,4 | 5/8" | 158 | 223 | 9 | 27,8 | 37 | 15 | 5.700 | BULK |

| | | | | | | | | | | |
|-----------|------|------|-------|-------|------|------|------|------|--------|------|
| MD2034095 | 9,5 | 3/4" | 184,5 | 262,5 | 10 | 31,7 | 46 | 17,5 | 10.000 | BULK |
| MD2078111 | 11,1 | 7/8" | 216 | 311 | 10,5 | 35,7 | 51,4 | 20 | 13.500 | BULK |

Note: Breakloads are determined by thread.

The user is responsible for choosing the proper cable diameter and for correct assembly.

back

The logo for allRIG, featuring the word "allRIG" in a stylized, lowercase, sans-serif font. The "a" and "l" are lowercase, while "RIG" is uppercase. The letters are white and set against a dark blue background.

Buscarons, 6 - 08022 Barcelona | Tel.: (+34) 934 186 632 | Fax: (+34) 934 185 648

E-Mail: info@allrig.net | www.allrig.net